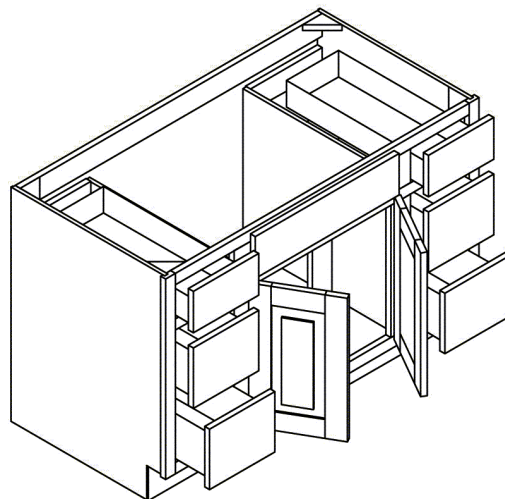




Habitat for Humanity® Prison Partnership

CABINET CATALOG



HFHC Kitchen & Bath Cabinets

KITCHEN DESIGN

WALL CABINETS

BASE CABINETS

FULL HT. CABINETS

VANTY CABINETS

PRICE LIST

TABLE OF CONTENTS

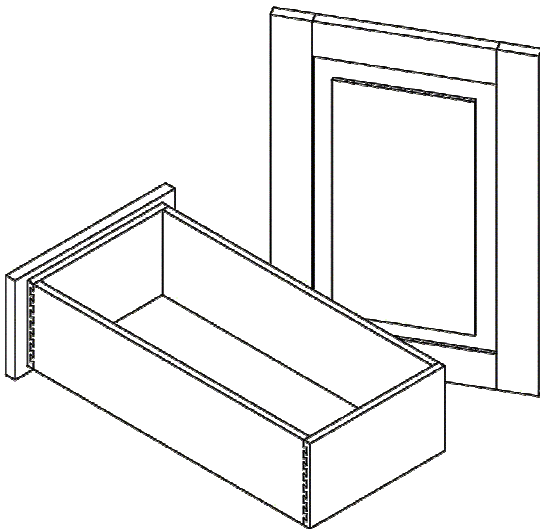
<u>CATEGORY</u>	<u>PAGE(S)</u>
KITCHEN DESIGN	3-4
OUR CABINET SPECIFICATIONS	3
KITCHEN LAYOUTS	4
WALL CABINETS	5-9
12" - 18" HEIGHT	5
30" HEIGHT	6
42" HEIGHT	7
BLIND CORNER CABINETS	8
MICROWAVE / WALL ANGLE	9
BASE CABINETS	10-14
STANDARD	10
BASE TRAY / SINK BASE	11
DRAWER CABINETS	12
CORNER CABINETS	13
MISC. / ACCESSORIES	14
FULL HEIGHT CABINETS	15-16
STANDARD PANTRY	15
UTILITY	16
VANITY CABINETS	17-19
VANITY BASE & DRAWER BASE	17
VANITY SINK BASE	18
COMBINATION SINK / DRAWER	19
ORDER FORM	20
PRICE LIST SEPARATE	

HABITAT FOR HUMANITY OF COLORADO
VOCATIONAL CABINET SHOP
CROWLEY COUNTY CORRECTIONAL FACILITY

We provide quality affordable cabinets for Habitat Homes while teaching inmates a new trade.

Introduction:

HFHC Prison Partnership is a cabinet shop at Crowley County Correctional Facility that employs inmates to build kitchen cabinets. We do not keep a stock of cabinets as we do not have warehouse space, so we build every cabinet to order so we can accommodate custom sizes or special requests as necessary. Cabinets are generally sold in 3" increments as standard sizes. i.e. 12", 15", 18" etc... We can build them to any size in 1" increments. i.e. 12" 13" 14" etc...



Standard Cabinet Specifications:

- * All plywood and hardwood construction. (We do not use particle board)
- * All frames are 3/4" hardwood, glued and screwed together with concealed fasteners.
- * Cabinet sides, bottoms, end panels, and shelves are all 1/2" plywood.
- * All cabinets have finished sides so no finished end panels are necessary.
- * Hanging rails and bracing are solid hardwood.
- * Doors are all 3/4" hardwood raised panels.
- * Drawer boxes are all 5/8" hardwood with dovetailed corner joints.

Catalog Numbers and How To Order:

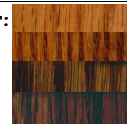
You can order your cabinets by either filling out an order form if you know what cabinets you need, or sending us your drawings or dimensions so we can design your kitchen for you.

- * Catalog numbers consist of letters and numbers. The letter designates the cabinet type. i.e. **W**=wall cabinet, **B**=base cabinet, **V**=vanity, **WBC**=wall blind corner, **RSB**=range/sink base, **BRB**=broom closet (or pantry) etc...
- * The numbers designate sizes. The first (or only) number corresponds to the width. i.e. **B24**=24" wide base cabinet. The second number corresponds to height. i.e. **W2430**=24" wide by 30" high wall cabinet.
- * Right hand or left hand doors are specified by adding R or L to the end. i.e. **B12 Right**=12" wide base cabinet with the hinges on the right side.

Any additional information is added to the end such as **Rollout** or **ADA** or simply **Custom**.

Options:

Wood:	Classic Oak (standard) Maple (add'l charge) or special request
Door Style:	Square Raised Panel (standard) Square Flat Panel Shaker Plywood Panel (utility)
Color:	Natural Stain (standard) Golden Oak Red Chestnut Early American or special request
Hinges:	1/2" Polished Brass (standard) 1/2" Satin Nickel Euro Concealed Cup (hidden)
Handles:	3" Brass/Oak Pulls (standard) 3" Satin Nickel Pulls or special request.

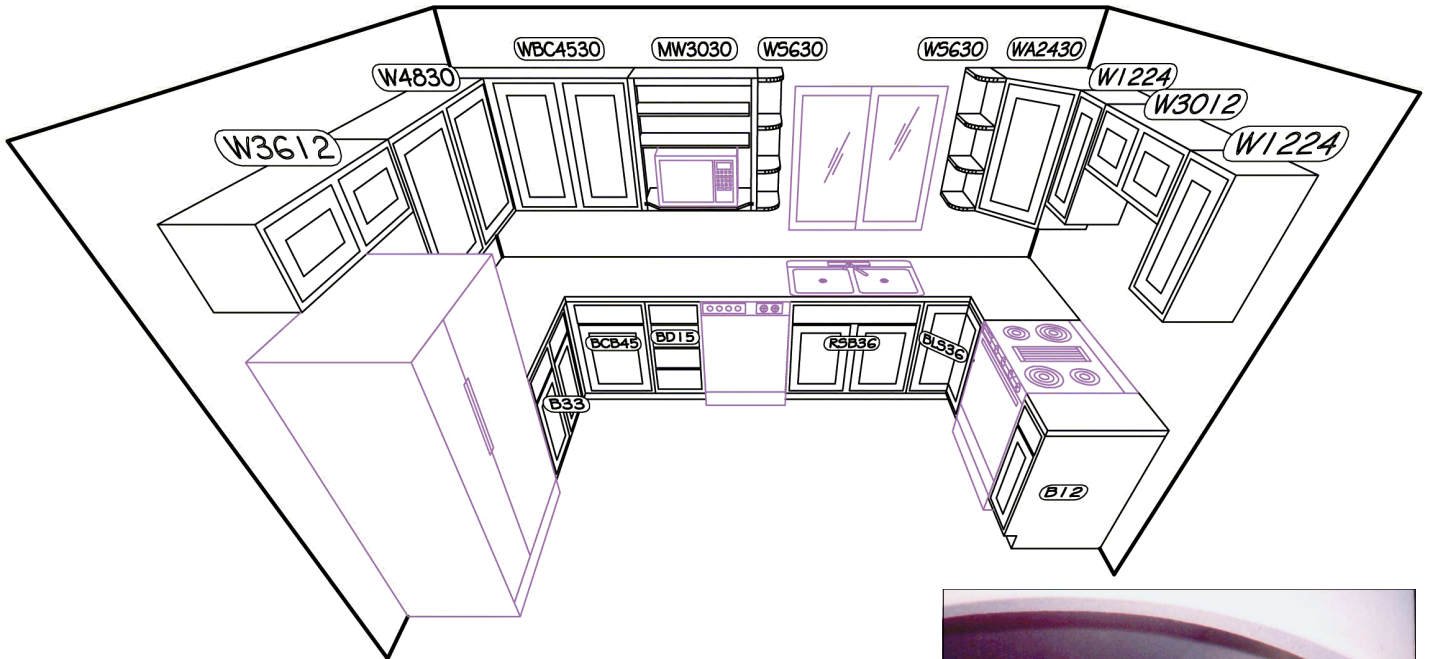




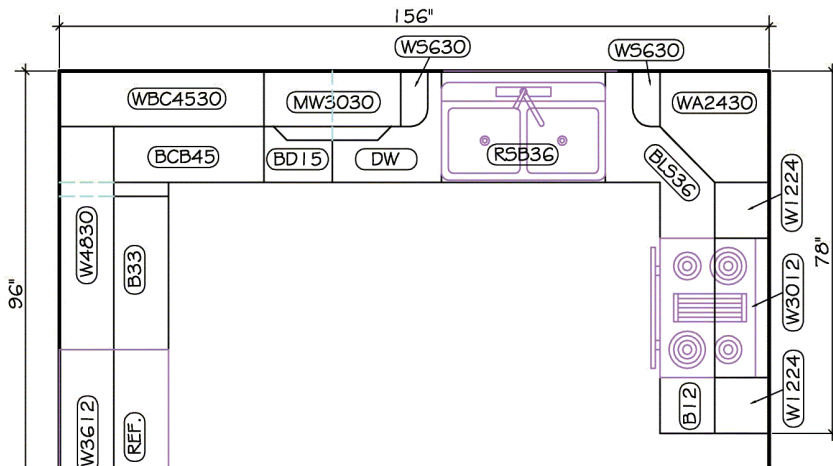
HABITAT FOR HUMANITY of COLORADO
VOCATIONAL CABINET SHOP
CROWLEY COUNTY CORRECTIONAL FACILITY

KITCHEN DESIGN

KITCHEN PLANS ARE PROVIDED IF NEEDED FOR YOUR KITCHEN DESIGN. THIS DRAWING SHOWS SOME OF OUR VARIOUS CABINETS AND THEIR INTENDED USES. EVERY KITCHEN IS DIFFERENT, AND WE CAN ACCOMMODATE MANY OPTIONS DUE TO OUR CUSTOM DESIGN CAPABILITY.



PERSPECTIVE ELEVATION

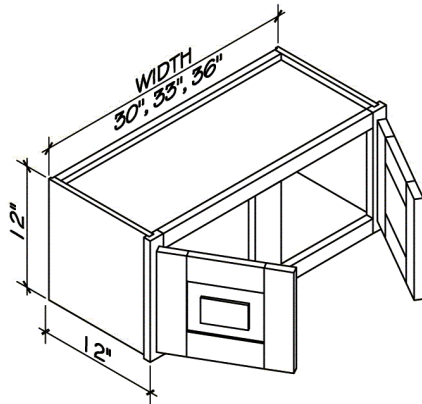


FLOOR PLAN

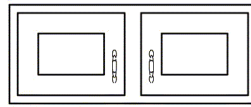


WALL CABINETS

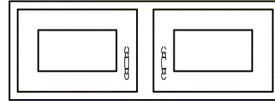
WALL CABINETS



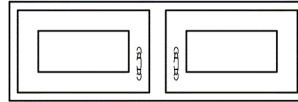
12" TALL WALL CABINETS



W3012



W3312



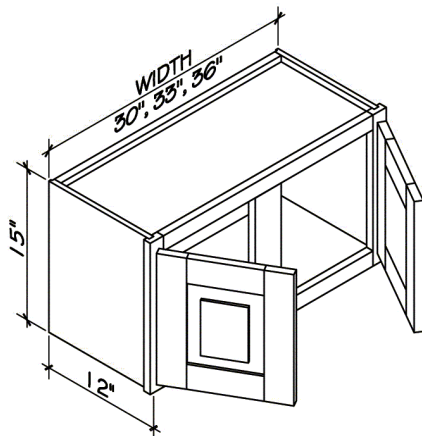
W3612

STANDARD SIZES

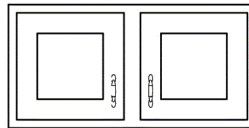
- W3012
- W3312
- W3612

12" TALL WALL CABINETS

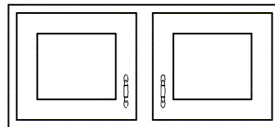
- ✦ STANDARD 12" DEPTH
- OPTIONAL 24" DEPTH
- ✦ NO SHELF
- ✦ COMMON USES INCLUDE:
OVER REFRIDGERATOR



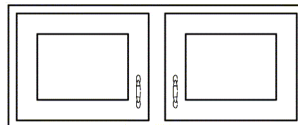
15" TALL WALL CABINETS



W3015



W3315



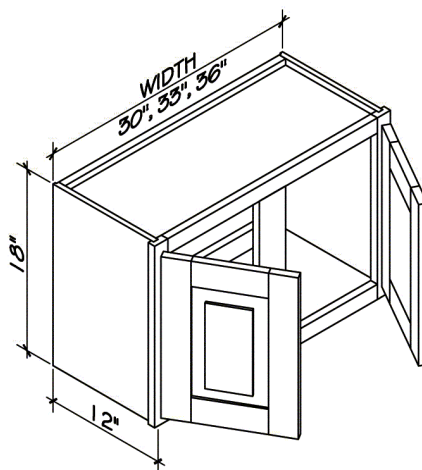
W3615

STANDARD SIZES

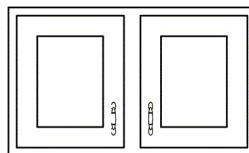
- W3015
- W3315
- W3615

15" TALL WALL CABINETS

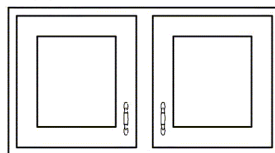
- ✦ STANDARD 12" DEPTH
- OPTIONAL 24" DEPTH
- ✦ NO SHELF
- ✦ COMMON USES INCLUDE:
OVER REFRIDGERATOR
OVER RANGE HOOD



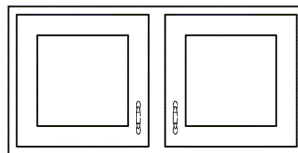
18" TALL WALL CABINETS



W3018



W3318



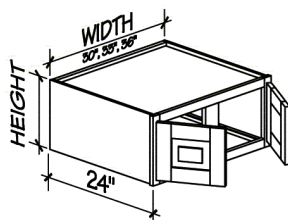
W3618

STANDARD SIZES

- W3018
- W3318
- W3618

18" TALL WALL CABINETS

- ✦ STANDARD 12" DEPTH
- OPTIONAL 24" DEPTH
- ✦ NO SHELF
- ✦ COMMON USES INCLUDE:
OVER RANGE



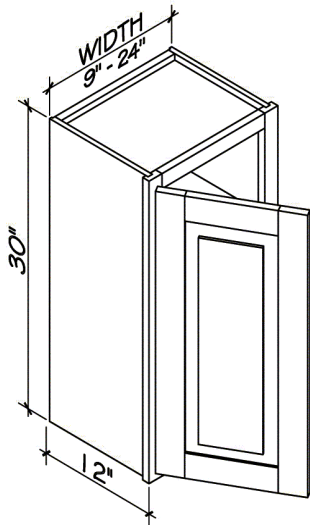
OPTIONAL 24" DEPTH
✦ AVAILABLE IN ALL ABOVE SIZES
DESIGNATED BY ADDING "x24"
TO CATALOG # (i.e. W3012 x24)

ALL CABINETS INCLUDE

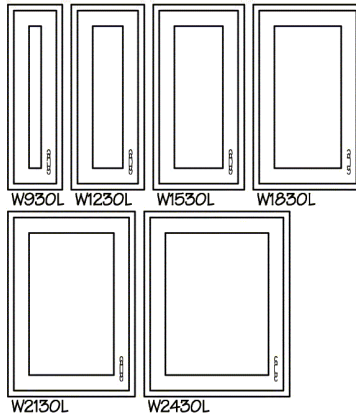
- ✦ ALL OAK CONSTRUCTION
- ✦ RAISED PANEL DOORS
- ✦ STANDARD BRASS/OAK PULLS

WALL CABINETS

WALL CABINETS



30" TALL SINGLE DOOR

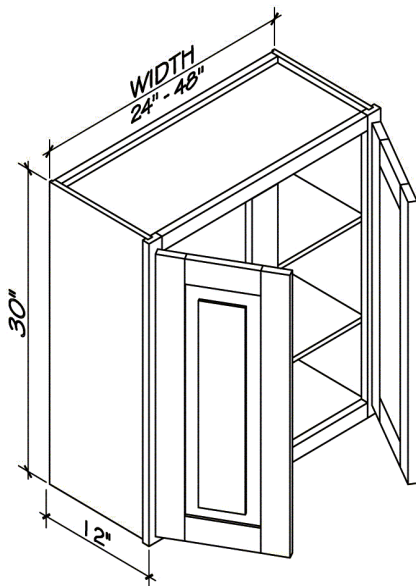


STANDARD SIZES

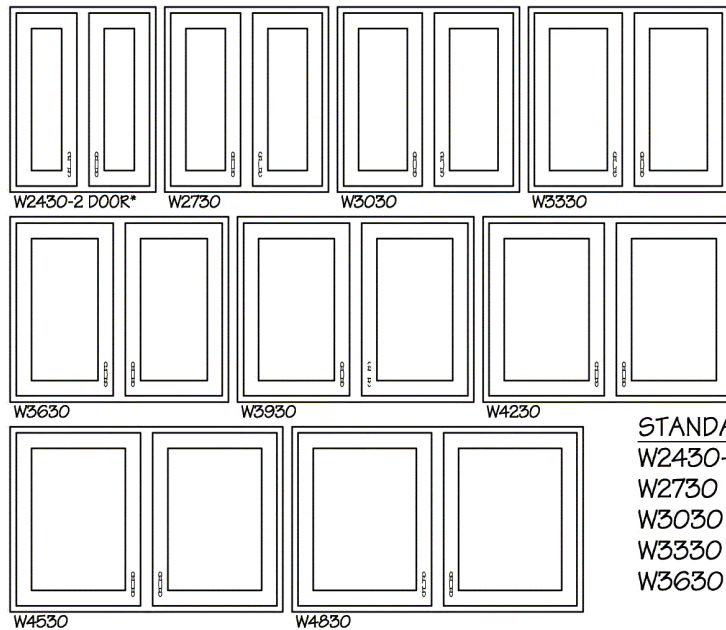
- W930 L or R
- W1230 L or R
- W1530 L or R
- W1830 L or R
- W2130 L or R
- W2430 L or R
- *ALL LH SHOWN

30" TALL SINGLE DOOR
WALL CABINETS

- ✦ STANDARD 12" DEPTH
- ✦ TWO ADJUSTABLE SHELVES
- ✦ SPECIFY HINGE ON LH OR RH
- ✦ COMMON USES INCLUDE:
STANDARD WALL UNITS
FOR 7" TOP OF CABINET



30" TALL DOUBLE DOOR



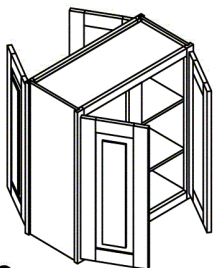
STANDARD SIZES

- W2430-2 DOOR*
- W2730 W3930
- W3030 W4230
- W3330 W4530
- W3630 W4830

30" TALL DOUBLE DOOR
WALL CABINETS

- ✦ STANDARD 12" DEPTH
- ✦ TWO ADJUSTABLE SHELVES
- ✦ COMMON USES INCLUDE:
STANDARD WALL UNITS
FOR 7" TOP OF CABINET

* W2430-2 DOOR IS SPECIAL ORDER



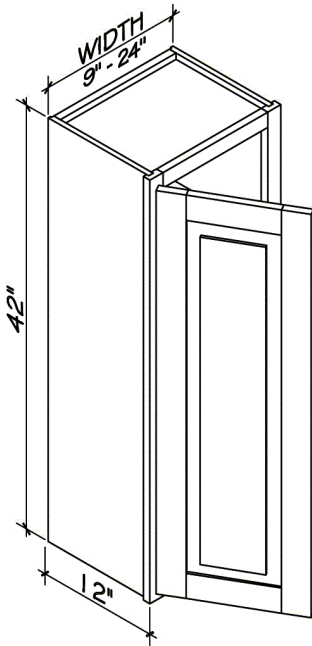
PENINSULA OPTION

- ✦ FACE FRAME AND DOORS BOTH SIDES
- ✦ AVAILABLE IN ALL STANDARD SIZES
- ✦ DESIGNATED BY "WP---"
ON CATALOG # (i.e. WP3030)

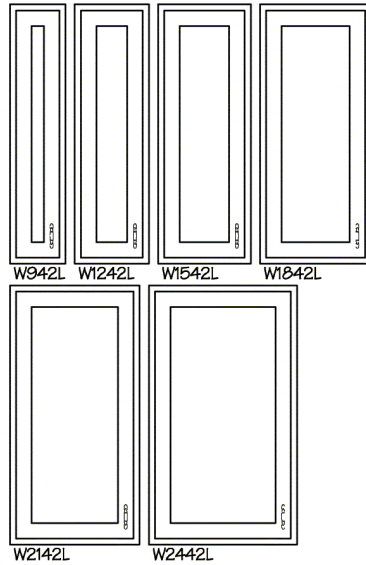
ALL CABINETS INCLUDE

- ✦ ALL OAK CONSTRUCTION
- ✦ RAISED PANEL DOORS
- ✦ STANDARD BRASS/OAK PULLS

WALL CABINETS



42" TALL SINGLE DOOR



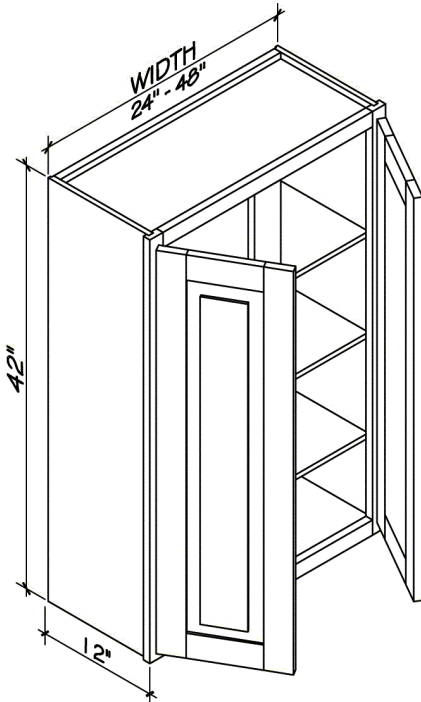
STANDARD SIZES

- W942 L or R
- W1242 L or R
- W1542 L or R
- W1842 L or R
- W2142 L or R
- W2442 L or R
- *ALL LH SHOWN

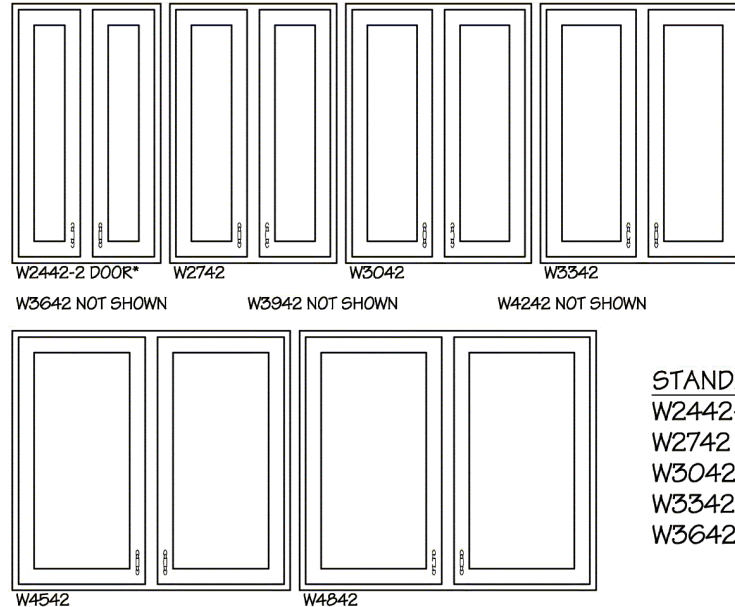
42" TALL SINGLE DOOR
WALL CABINETS

- ✦STANDARD 12" DEPTH
- ✦THREE ADJUSTABLE SHELVES
- ✦SPECIFY HINGE ON LH OR RH
- ✦COMMON USES INCLUDE:
STANDARD WALL UNITS
FOR 8' TOP OF CABINET

WALL CABINETS



42" TALL DOUBLE DOOR



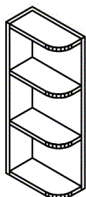
STANDARD SIZES

- W2442-2 DOOR*
- W2742 W3942
- W3042 W4242
- W3342 W4542
- W3642 W4842

42" TALL DOUBLE DOOR
WALL CABINETS

- ✦STANDARD 12" DEPTH
- ✦THREE ADJUSTABLE SHELVES
- ✦COMMON USES INCLUDE:
STANDARD WALL UNITS
FOR 8' TOP OF CABINET

* W2442-2 DOOR IS SPECIAL ORDER



WALL END SHELF UNIT

- ✦6" WIDE x 12" DEEP
- ✦SOLID OAK

STANDARD SIZES

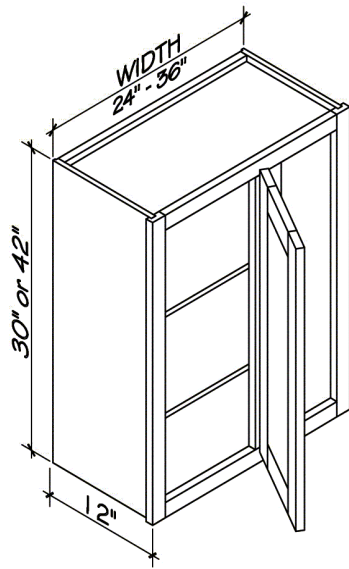
- WS630 (30" TALL)
- WS636 (36" TALL)
- WS642 (42" TALL)

ALL CABINETS INCLUDE

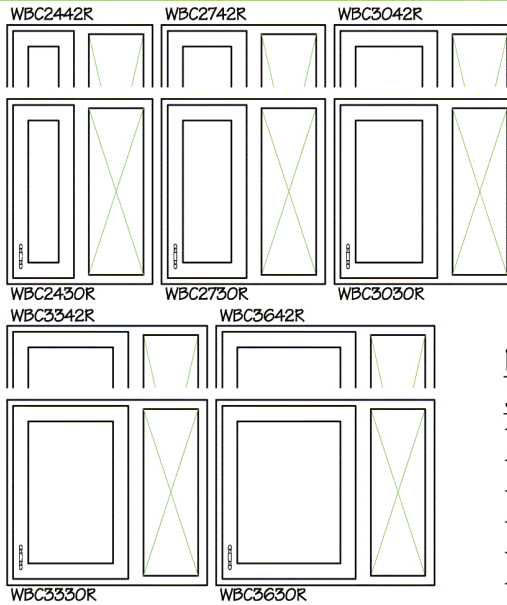
- ✦ALL OAK CONSTRUCTION
- ✦RAISED PANEL DOORS
- ✦STANDARD BRASS/OAK PULLS

WALL CABINETS

WALL CABINETS

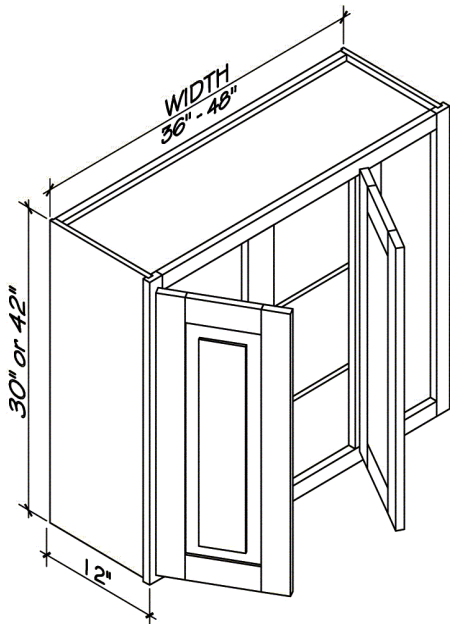


WALL BLIND CORNER CABINET
30" or 42" TALL SINGLE DOOR

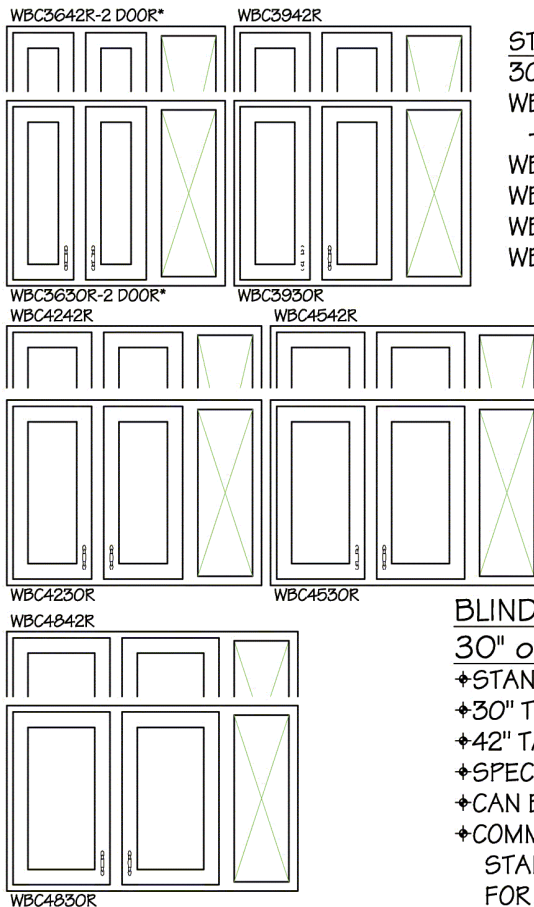


STANDARD SIZE CATALOG #'S
30" TALL 42" TALL
WBC2430 L/R WBC2442 L/R
WBC2730 L/R WBC2742 L/R
WBC3030 L/R WBC3042 L/R
WBC3330 L/R WBC3342 L/R
WBC3630 L/R WBC3642 L/R
*ALL RH SHOWN

BLIND CORNER WALL CABINETS
30" or 42" TALL SINGLE DOOR
†STANDARD 12" DEPTH
†30" TALL= TWO ADJ. SHELVES
†42" TALL= THREE ADJ. SHELVES
†SPECIFY BLIND SIDE ON LH OR RH
†CAN BE PULLED 1-1/4"
†COMMON USES INCLUDE:
STANDARD WALL CORNER UNITS
FOR 7'(30") or 8'(42")TOP OF CABINET



WALL BLIND CORNER CABINET
30" or 42" TALL DOUBLE DOOR



STANDARD SIZE CATALOG #'S
30" TALL 42" TALL
WBC3630 L/R- WBC3642 L/R-
-2 DOOR* -2 DOOR*
WBC3930 L/R WBC3942 L/R
WBC4230 L/R WBC4242 L/R
WBC4530 L/R WBC4542 L/R
WBC4830 L/R WBC4842 L/R
*ALL RH SHOWN

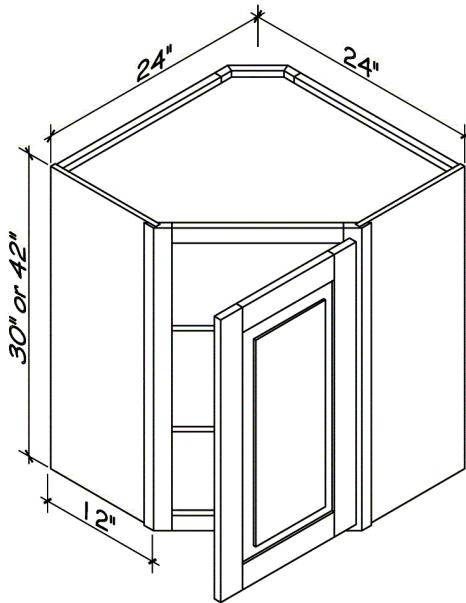
* WBC3630(42)-2 DOOR
ARE SPECIAL ORDER

BLIND CORNER WALL CABINETS
30" or 42" TALL DOUBLE DOOR
†STANDARD 12" DEPTH
†30" TALL= TWO ADJ. SHELVES
†42" TALL= THREE ADJ. SHELVES
†SPECIFY BLIND SIDE ON LH OR RH
†CAN BE PULLED 1-1/4"
†COMMON USES INCLUDE:
STANDARD WALL CORNER UNITS
FOR 7'(30") or 8'(42")TOP OF CABINET

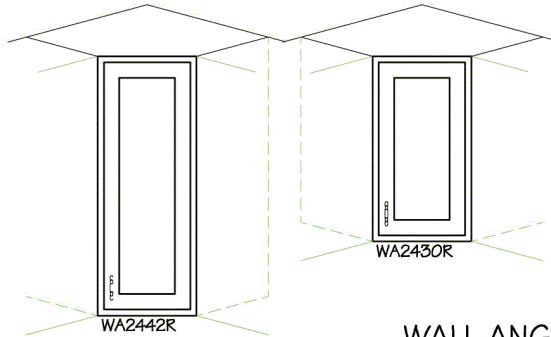


ALL CABINETS INCLUDE
†ALL OAK CONSTRUCTION
†RAISED PANEL DOORS
†STANDARD BRASS/OAK PULLS

WALL CABINETS



WALL ANGLE CORNER CABINET
30" or 42" TALL SINGLE DOOR



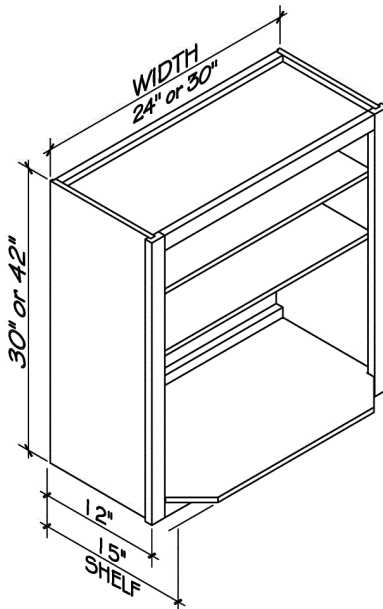
STANDARD SIZES
WA2430 L or R
WA2442 L or R
*ALL RH SHOWN

WALL ANGLE CORNER CABINETS

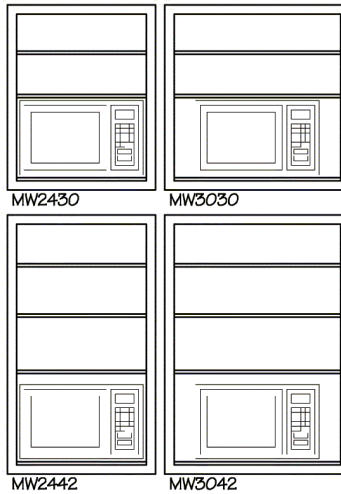
30" or 42" TALL SINGLE DOOR

- ✦ FOR STANDARD 12" DEPTH
- ✦ 30" TALL= TWO ADJ. SHELVES
- ✦ 42" TALL= THREE ADJ. SHELVES
- ✦ SPECIFY HINGE ON LH OR RH
- ✦ COMMON USES INCLUDE:
ANGLED CORNER WALL UNITS
FOR 7'(30") or 8'(42") TOP OF CABINET

WALL CABINETS



MICROWAVE CABINET



STANDARD SIZES

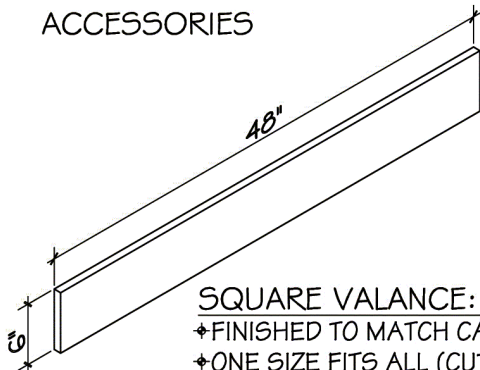
- MW2430
- MW3030
- MW2442
- MW3042

MICROWAVE CABINET

30" or 42" TALL OPEN FACE

- ✦ STANDARD 12" DEPTH
- ✦ 30" TALL= TWO ADJ. SHELVES
- ✦ 42" TALL= THREE ADJ. SHELVES
- ✦ BOTTOM IS 15" DEEP
- ✦ BOTTOM CAN BE REMOVED
- ✦ NO DOORS

ACCESSORIES



SQUARE VALANCE: 6"x48"
✦ FINISHED TO MATCH CABINETS
✦ ONE SIZE FITS ALL (CUT TO FIT)

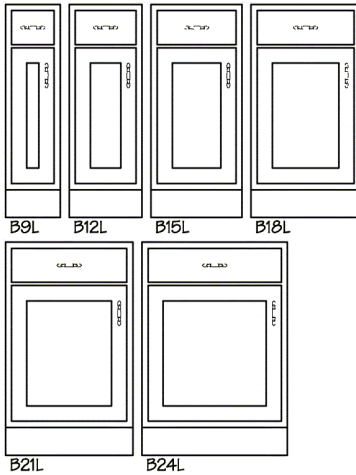
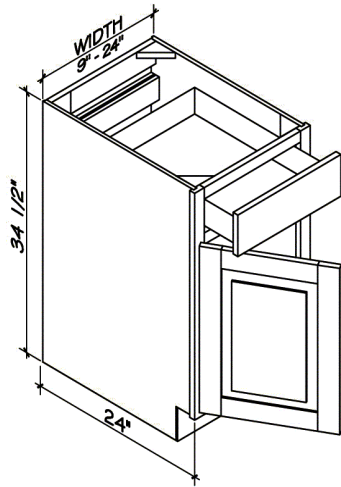


FILLER: 3"x30" or 3"x42"
✦ FINISHED TO MATCH CABINETS
✦ FIELD CUT TO FIT

ALL CABINETS INCLUDE

- ✦ ALL OAK CONSTRUCTION
- ✦ RAISED PANEL DOORS
- ✦ STANDARD BRASS/OAK PULLS

BASE CABINETS



STANDARD SIZES

- B9 L or R
- B12 L or R
- B15 L or R
- B18 L or R
- B21 L or R
- B24 L or R

*ALL LH SHOWN

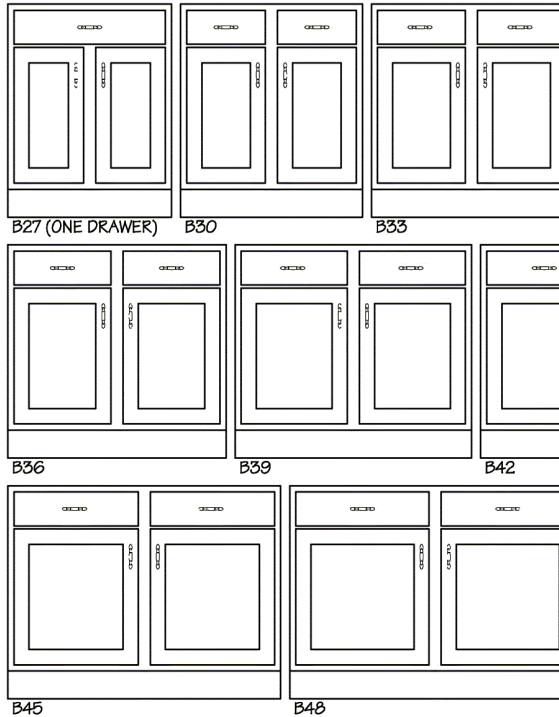
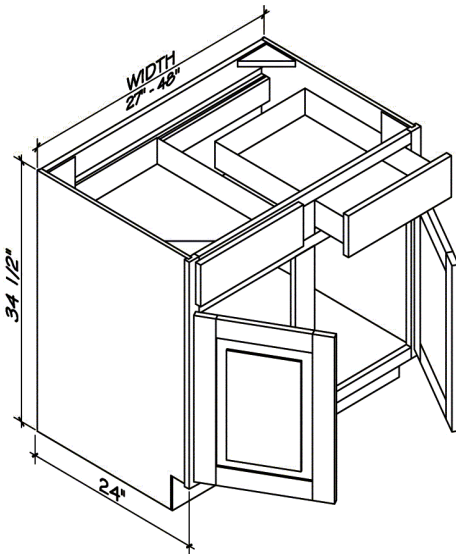
STANDARD BASE CABINET

SINGLE DOOR / SINGLE DRAWER

- ✦STANDARD 24" DEPTH
- ✦STANDARD 34 1/2" TALL (36" COUNTERTOP)
- ✦ONE HALF-DEPTH ADJUSTABLE SHELF
- ✦SPECIFY HINGE ON LH OR RH
- ✦COMMON USES INCLUDE:
STANDARD KITCHEN BASE CABINET

STANDARD BASE CABINET
SINGLE DOOR / SINGLE DRAWER

BASE CABINETS



STANDARD SIZES

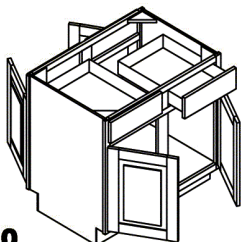
- | | |
|------|-----|
| B27* | B39 |
| B30 | B42 |
| B33 | B45 |
| B36 | B48 |

STANDARD BASE CABINET
DOUBLE DOOR / DOUBLE DRAWER*

STANDARD BASE CABINET

- ✦STANDARD 24" DEPTH
- ✦STANDARD 34 1/2" TALL
- ✦ONE HALF-DEPTH ADJ. SHELF
- ✦COMMON USES INCLUDE:
STANDARD KITCHEN BASE CABINET

*B27 COMES WITH ONLY ONE DRAWER



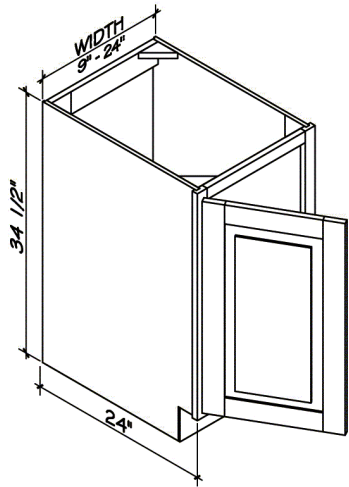
PENINSULA OPTION

- ✦FACE FRAME AND DOORS BOTH SIDES
- ✦DRAWERS ONE SIDE/FALSE FRONT OTHER
- ✦AVAILABLE IN ALL STANDARD SIZES
- ✦DESIGNATED BY "BP---"
ON CATALOG # (i.e. BP30)

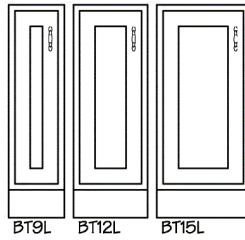
ALL CABINETS INCLUDE

- ✦ALL OAK CONSTRUCTION
- ✦RAISED PANEL DOORS
- ✦DOVETAILED OAK DRAWERS
- ✦STANDARD BRASS/OAK PULLS

BASE CABINETS



BASE TRAY CABINET
SINGLE FULL HEIGHT DOOR



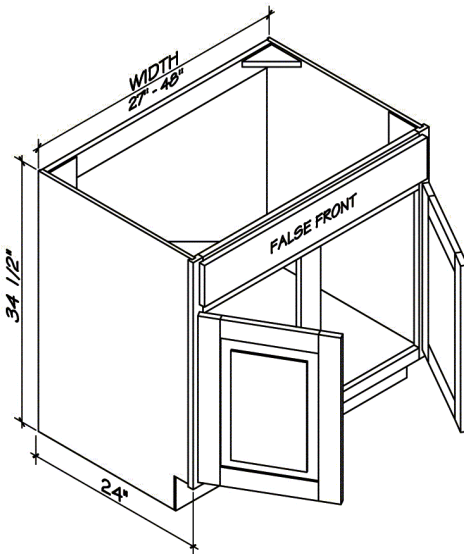
STANDARD SIZES

- BT9 L or R
- BT12 L or R
- BT15 L or R
- *ALL LH SHOWN

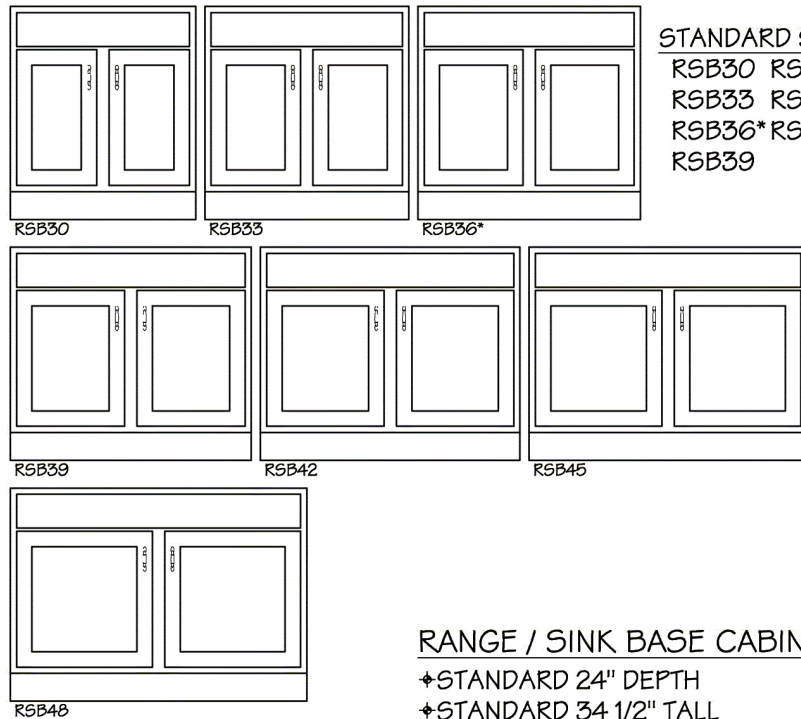
BASE TRAY CABINET
SINGLE FULL HEIGHT DOOR

- ✦STANDARD 24" DEPTH
- ✦STANDARD 34 1/2" TALL (36" COUNTERTOP)
- ✦NO SHELF
- ✦SPECIFY HINGE ON LH OR RH
- ✦COMMON USES INCLUDE:
VERTICAL TRAY STORAGE
WASTEBASKET STORAGE

BASE CABINETS



RANGE / SINK BASE CABINET



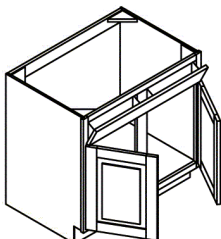
STANDARD SIZES

- RSB30 RSB42
- RSB33 RSB45
- RSB36* RSB48
- RSB39

RANGE / SINK BASE CABINET

- ✦STANDARD 24" DEPTH
- ✦STANDARD 34 1/2" TALL
- ✦NO BACK / NO SHELF
- ✦TWO DOORS
- ✦ONE FALSE DRAWER FRONT
- ✦COMMON USES INCLUDE:
KITCHEN SINK BASE CABINET
RANGE TOP BASE CABINET

*RSB36 MOST COMMON SINK BASE (FITS 22"x33" DOUBLE BOWL SINK)



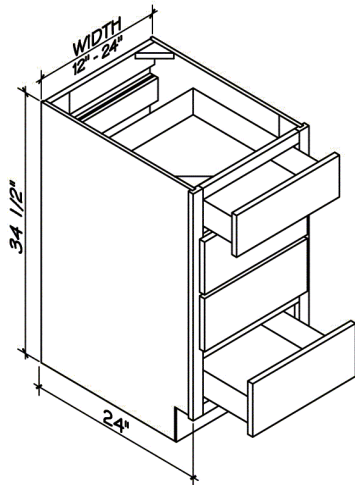
TIP OUT OPTION

- ✦FALSE FRONT TIPS OUT
- ✦DESIGNATED BY ADDING "TIPOUT"
TO CATALOG # (i.e. RSB36 TIPOUT)

ALL CABINETS INCLUDE

- ✦ALL OAK CONSTRUCTION
- ✦RAISED PANEL DOORS
- ✦DOVETAILED OAK DRAWERS
- ✦STANDARD BRASS/OAK PULLS

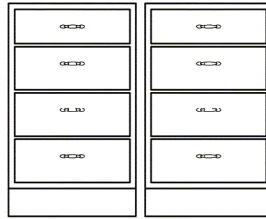
BASE CABINETS



**DRAWER BASE CABINET
FOUR DRAWERS**



BD12 BD15 BD18



BD21 BD24

STANDARD SIZES

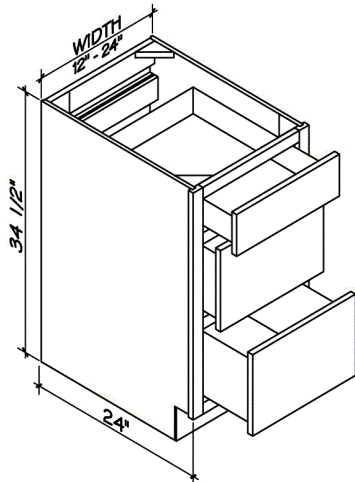
- BD12
- BD15
- BD18
- BD21
- BD24

DRAWER BASE CABINET

FOUR DRAWERS

- ✦STANDARD 24" DEPTH
- ✦STANDARD 34 1/2" TALL (36" COUNTERTOP)
- ✦ONE- 3 1/2" DEEP DRAWER
- ✦THREE- 5" DEEP DRAWERS
- ✦COMMON USES INCLUDE:
STANDARD KITCHEN DRAWER CABINET

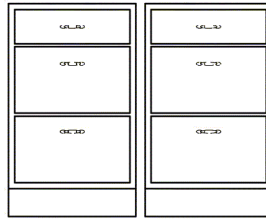
BASE CABINETS



**DRAWER BASE CABINET
THREE DRAWERS**



BDL12 BDL15 BDL18



BDL21 BDL24

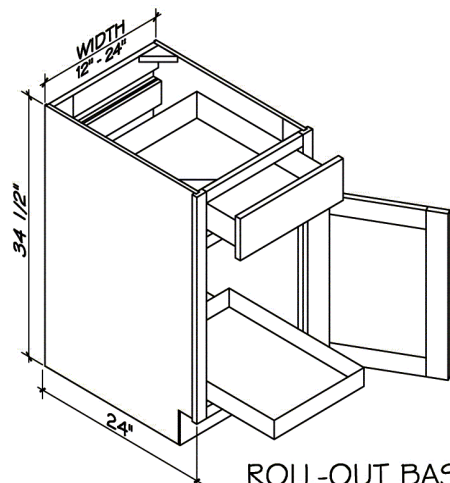
STANDARD SIZES

- BDL12
- BDL15
- BDL18
- BDL21
- BDL24

DRAWER BASE CABINET

THREE DRAWERS

- ✦STANDARD 24" DEPTH
- ✦STANDARD 34 1/2" TALL (36" COUNTERTOP)
- ✦ONE- 3 1/2" DEEP DRAWER
- ✦TWO- 8" DEEP DRAWERS
- ✦COMMON USES INCLUDE:
LARGE-DRAWER KITCHEN CABINET



ROLL-OUT BASE

ROLL-OUT BASE

- ✦2" DEEP ROLL-OUT TRAY ON BOTTOM
- ✦OTHERWISE SAME AS B12 - B24
- ✦COMMON USES INCLUDE:
APPLIANCES / HEAVY POTS
- ✦DESIGNATED BY ADDING "-ROLLOUT"
TO CATALOG # (i.e. B18 -ROLLOUT)

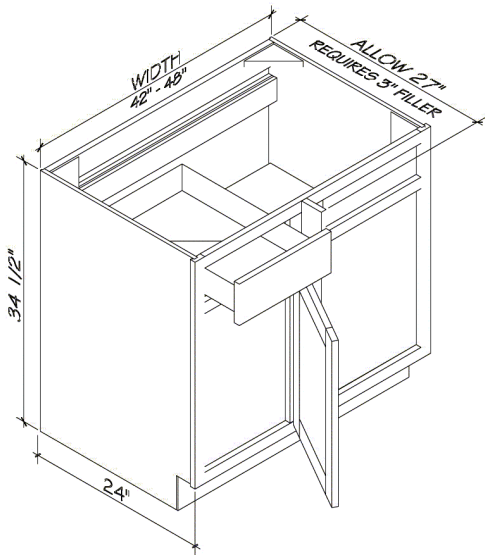
STANDARD SIZES

- B12 -ROLLOUT
- B15 -ROLLOUT
- B18 -ROLLOUT
- B21 -ROLLOUT
- B24 -ROLLOUT

ALL CABINETS INCLUDE

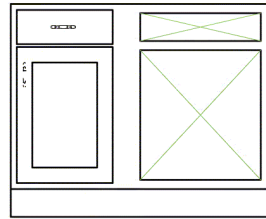
- ✦ALL OAK CONSTRUCTION
- ✦RAISED PANEL DOORS
- ✦DOVETAILED OAK DRAWERS
- ✦STANDARD BRASS/OAK PULLS

BASE CABINETS

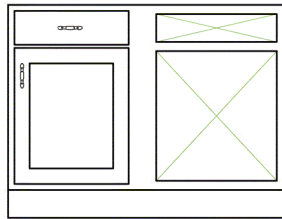


NOTE: REQUIRES 3" FILLER (INCLUDED) BETWEEN ADJACENT CABINET

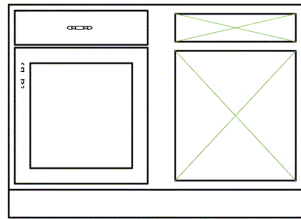
BLIND CORNER BASE CABINET



BCB42R



BCB45R



BCB48R

STANDARD SIZES

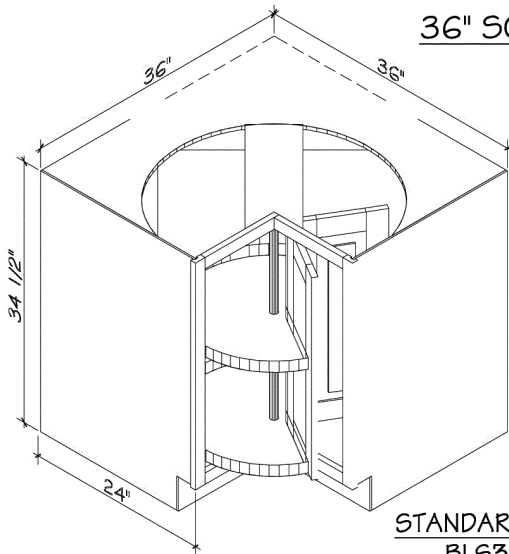
- BCB42 L or R
- BCB45 L or R
- BCB48 L or R
- *ALL RH SHOWN

BLIND CORNER BASE CABINET

- ✦STANDARD 24" DEPTH
- ✦STANDARD 34 1/2" TALL (36" COUNTERTOP)
- ✦ONE HALF-DEPTH ADJUSTABLE SHELF
- ✦SPECIFY BLIND SIDE ON LH OR RH
- ✦CAN BE PULLED 2-1/2"
- ✦COMES WITH ONE 3" FILLER
- ✦COMMON USES INCLUDE:
STANDARD CORNER BASE CABINET

BASE CABINETS

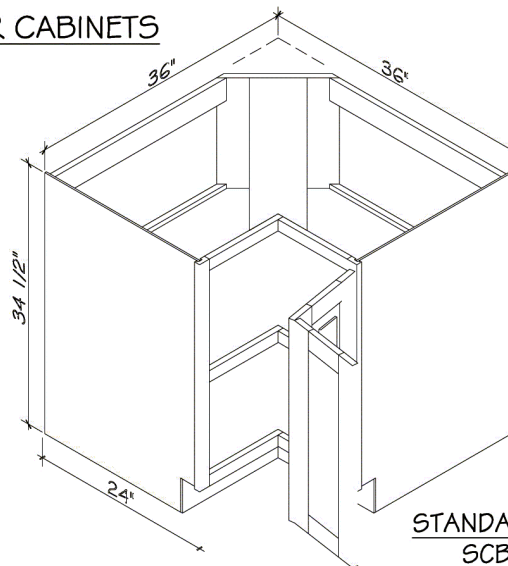
36" SQUARE CORNER CABINETS



STANDARD SIZE
BLS36

BASE LAZY SUSAN

- ✦FOR STANDARD 24" DEPTH
- ✦STANDARD 34 1/2" TALL
- ✦TWO ROTATING SHELVES
- ✦DOORS ROTATE WITH CAROUSEL
- ✦COMMON USES INCLUDE:
KITCHEN CORNER CONVENIENCE CABINET



STANDARD SIZE
SCB36

SOLID CORNER BASE

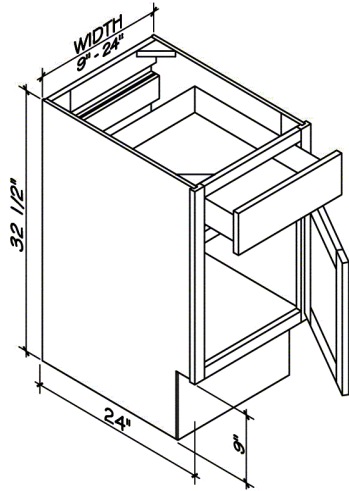
- ✦STANDARD 24" DEPTH
- ✦STANDARD 34 1/2" TALL
- ✦ONE FULL SIZE FIXED SHELF
- ✦COMMON USES INCLUDE:
KITCHEN CORNER CABINET



ALL CABINETS INCLUDE

- ✦ALL OAK CONSTRUCTION
- ✦RAISED PANEL DOORS
- ✦DOVETAILED OAK DRAWERS
- ✦STANDARD BRASS/OAK PULLS

BASE CABINETS



STANDARD SIZE CATALOG #'S

SINGLE DOOR	DOUBLE DOOR
B9-ADA L or R	B27-ADA
B12-ADA L or R	B30-ADA
B15-ADA L or R	B33-ADA
B18-ADA L or R	B36-ADA
B21-ADA L or R	B39-ADA
B24-ADA L or R	B42-ADA
*RH SHOWN	B45-ADA
	B48-ADA



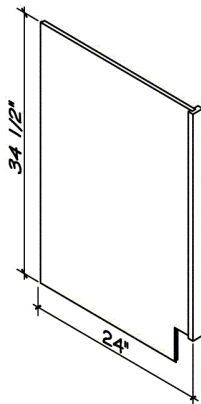
ADA BASE CABINET OPTION

- ✦STANDARD 24" DEPTH
- ✦ADA 32 1/2" TALL (34" COUNTERTOP)
- ✦ONE HALF-DEPTH ADJUSTABLE SHELF
- ✦9" TOEKICK
- ✦AVAILABLE IN ALL STANDARD WIDTHS
- ✦DESIGNATED BY ADDING "-ADA" TO CATALOG # (i.e. B18 -ADA)

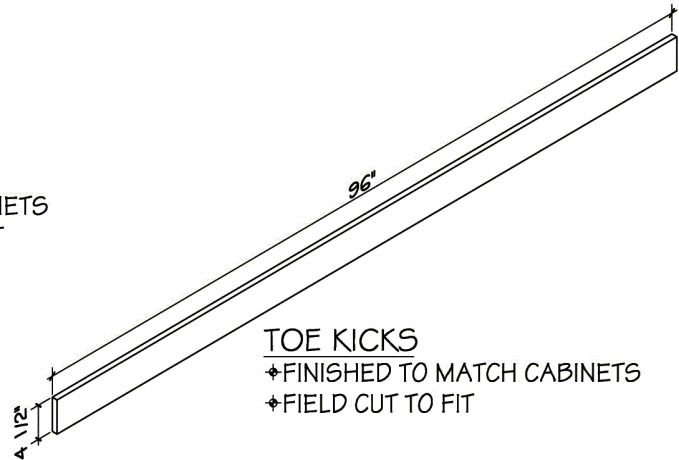
ADA BASE CABINET OPTION

BASE CABINETS

ACCESSORIES



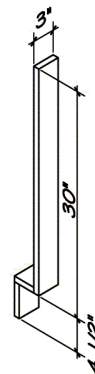
BASE END PANEL: BEP
 ✦FINISHED TO MATCH CABINETS
 ✦INCLUDES TOEKICK CUTOUT



TOE KICKS
 ✦FINISHED TO MATCH CABINETS
 ✦FIELD CUT TO FIT



FILLER: 3"x30"
 ✦FINISHED TO MATCH CABINETS
 ✦FIELD CUT TO FIT



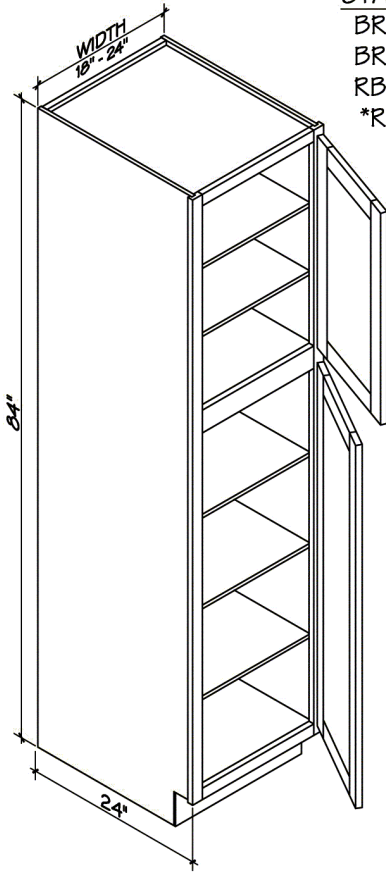
BASE FILLER: 3"x34.5" WTK
 ✦FINISHED TO MATCH CABINETS
 ✦INCLUDES TOEKICK
 ✦FIELD CUT TO FIT

ALL CABINETS INCLUDE

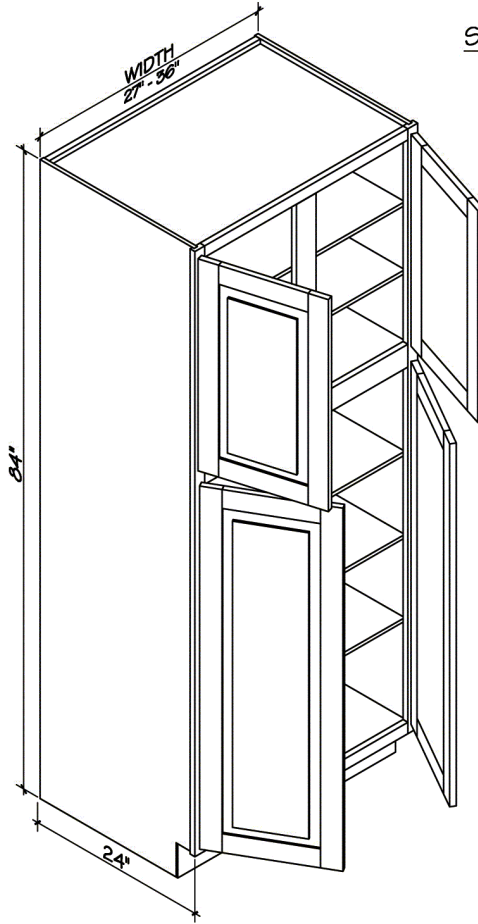
- ✦ALL OAK CONSTRUCTION
- ✦RAISED PANEL DOORS
- ✦DOVETAILED OAK DRAWERS
- ✦STANDARD BRASS/OAK PULLS



FULL HT. CABINETS



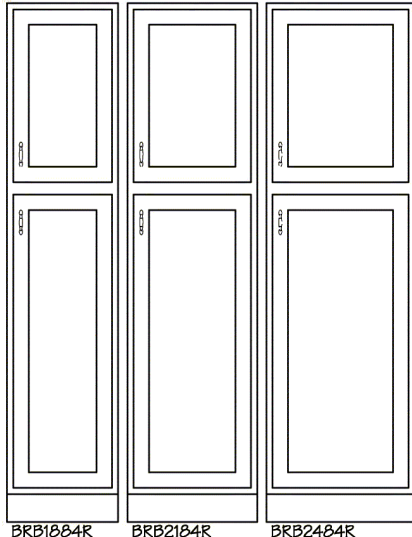
STANDARD SIZES
BRB1884 L or R
BRB2184 L or R
RBB2484 L or R
*RH SHOWN



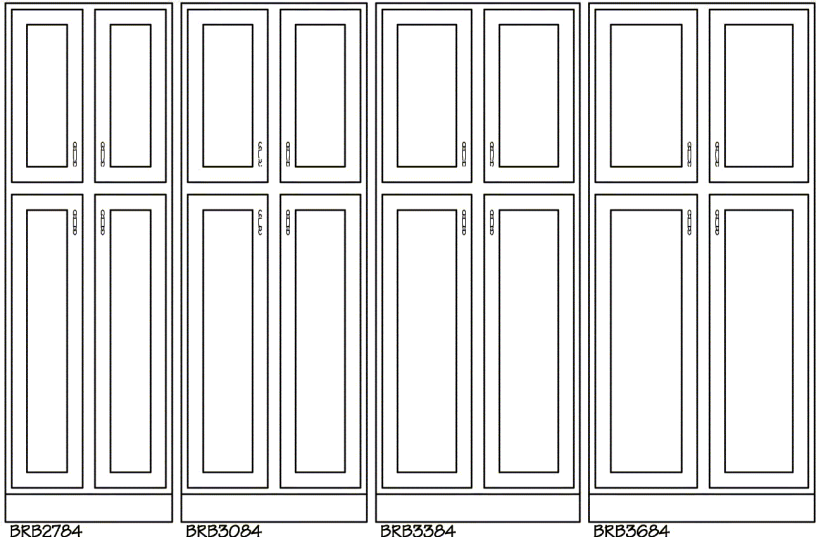
STANDARD SIZES
BRB2784
BRB3084
RBB3384
RBB3684

PANTRY / BROOM CLOSET
SINGLE DOOR WIDTH

PANTRY / BROOM CLOSET
DOUBLE DOOR WIDTH



BRB1884R BRB2184R BRB2484R



BRB2784 BRB3084 BRB3384 BRB3684

PANTRY / BROOM CLOSET CABINET

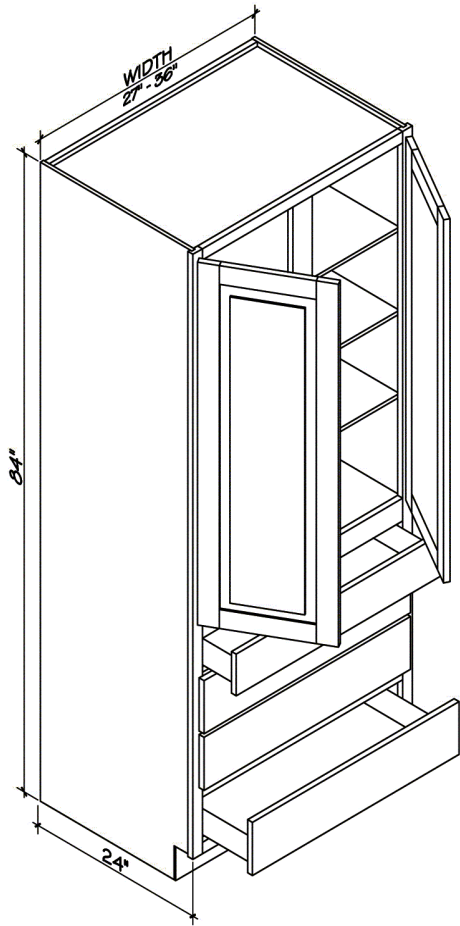
- ✦ STANDARD 24" DEPTH
- ✦ STANDARD 84" TALL
- ✦ FIVE FULL-DEPTH ADJ. SHELVES
- ✦ SPECIFY HINGE ON LH OR RH
- ✦ AVAILABLE IN 96" TALL
- ✦ AVAILABLE IN 26" DEPTH
(ADD "x26" TO CATALOG #)

ALL CABINETS INCLUDE

- ✦ ALL OAK CONSTRUCTION
- ✦ RAISED PANEL DOORS
- ✦ DOVETAILED OAK DRAWERS
- ✦ STANDARD BRASS/OAK PULLS

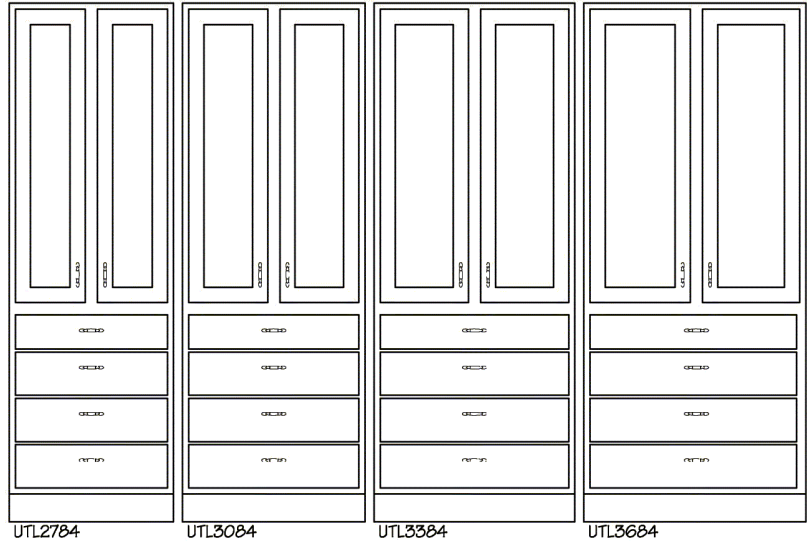
FULL HT. CABINETS

FULL HT. CABINETS



STANDARD SIZES

- UTL2784
- UTL3084
- UTL3384
- UTL3684



FULL HT. CABINETS

PANTRY / UTILITY CABINET
DOUBLE DOOR / FOUR DRAWER

PANTRY / UTILITY CABINET

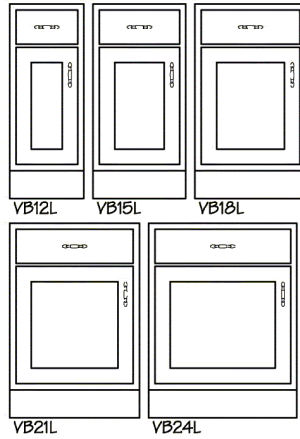
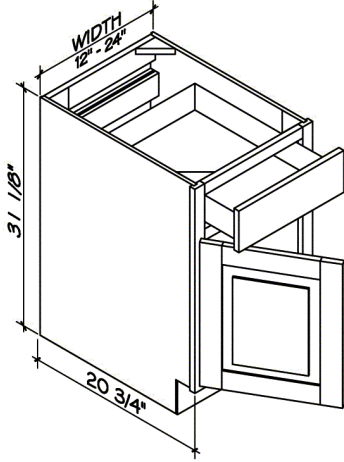
- ✦STANDARD 24" DEPTH
- ✦STANDARD 84" TALL
- ✦THREE FULL-DEPTH ADJ. SHELVES
- ✦ONE- 3 1/2" DEEP DRAWER
- ✦THREE- 5" DEEP DRAWERS
- ✦AVAILABLE IN 12" OR 26" DEPTH
(ADD "x12" or "x26" TO CATALOG #)



ALL CABINETS INCLUDE

- ✦ALL OAK CONSTRUCTION
- ✦RAISED PANEL DOORS
- ✦DOVETAILED OAK DRAWERS
- ✦STANDARD BRASS/OAK PULLS

VANITY CABINETS



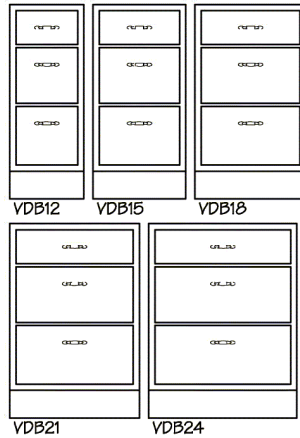
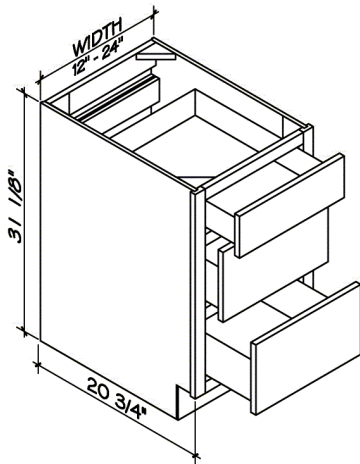
STANDARD SIZES

- VB12 L or R
- VB15 L or R
- VB18 L or R
- VB21 L or R
- VB24 L or R
- *ALL LH SHOWN

VANITY BASE CABINET
SINGLE DOOR / SINGLE DRAWER

VANITY BASE CABINET
SINGLE DOOR / SINGLE DRAWER

- ✦ VANITY 20 3/4" DEPTH
- ✦ VANITY 31 1/8" TALL (32" COUNTERTOP)
- ✦ ONE HALF-DEPTH ADJUSTABLE SHELF
- ✦ SPECIFY HINGE ON LH OR RH
- ✦ COMMON USES INCLUDE:
VANITY BASE CABINET BESIDE SINK



STANDARD SIZES

- VDB12
- VDB15
- VDB18
- VDB21
- VDB24

VANITY DRAWER BASE CABINET

VANITY DRAWER BASE CABINET

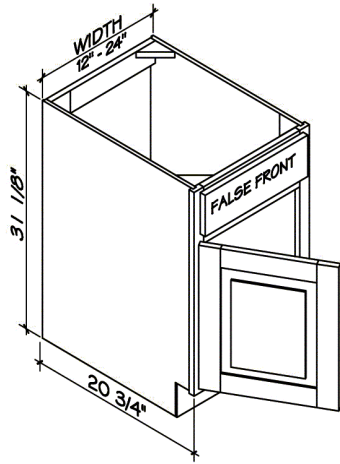
- ✦ VANITY 20 3/4" DEPTH
- ✦ VANITY 31 1/8" TALL (32" COUNTERTOP)
- ✦ ONE- 3 1/2" DEEP DRAWER
- ✦ TWO- 6 1/2" DEEP DRAWERS
- ✦ COMMON USES INCLUDE:
VANITY DRAWER CABINET BESIDE SINK

VANITY CABINETS

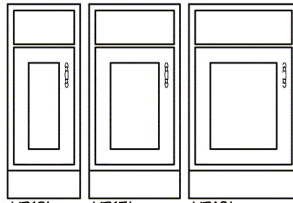
ALL CABINETS INCLUDE

- ✦ ALL OAK CONSTRUCTION
- ✦ RAISED PANEL DOORS
- ✦ DOVETAILED OAK DRAWERS
- ✦ STANDARD BRASS/OAK PULLS

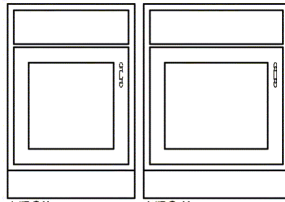
VANITY CABINETS



VANITY SINK BASE CABINET
SINGLE DOOR / NO DRAWER



VB12L VB15L VB18L



VB21L VB24L

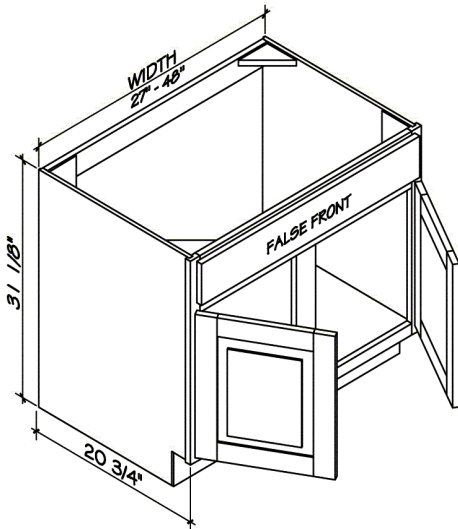
STANDARD SIZES

- VS B12 L or R
- VS B15 L or R
- VS B18 L or R
- VS B21 L or R
- VS B24 L or R

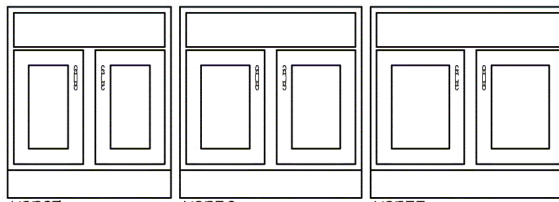
*ALL LH SHOWN

VANITY SINK BASE CABINET
SINGLE DOOR / NO DRAWER

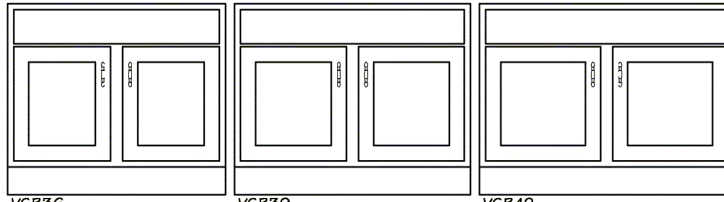
- ✦ VANITY 20 3/4" DEPTH
- ✦ VANITY 31 1/8" TALL (32" COUNTERTOP)
- ✦ NO BACK / NO SHELF
- ✦ ONE FALSE DRAWER FRONT
- ✦ SPECIFY HINGE ON LH OR RH
- ✦ COMMON USES INCLUDE:
VANITY SINK BASE CABINET



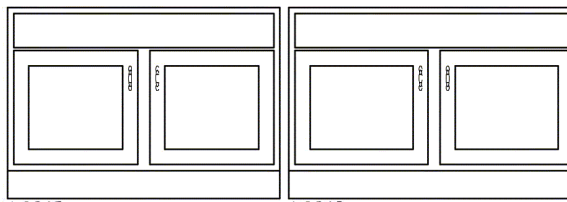
VANITY SINK BASE CABINET



VSB27 VSB30 VSB33



VSB36 VSB39 VSB42



VSB45 VSB48

STANDARD SIZES

- VSB27 VSB39
- VSB30 VSB42
- VSB33 VSB45
- VSB36 VSB48

VANITY SINK BASE CABINET

- ✦ VANITY 20 3/4" DEPTH
- ✦ VANITY 31 1/8" TALL (32" COUNTERTOP)
- ✦ NO BACK / NO SHELF
- ✦ ONE FALSE DRAWER FRONT
- ✦ COMMON USES INCLUDE:
VANITY SINK BASE CABINET

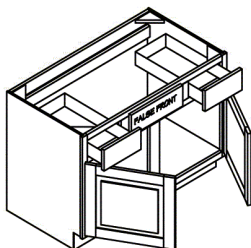
VANITY SINK BASE SPECIAL

- ✦ SIMILAR TO VSB'S ABOVE
- EXCEPT: INCLUDES 2 DRAWERS
- ✦ ALLOWS 21" WIDE SPACE FOR SINK

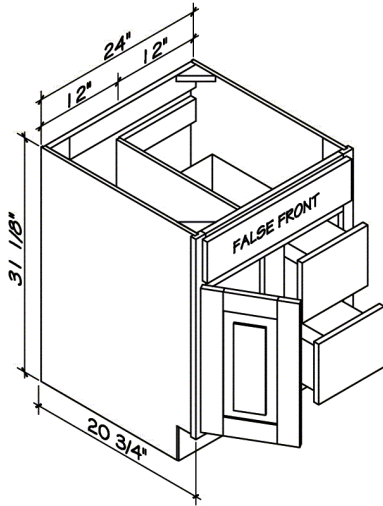
- STANDARD SIZES
VSB42-C VSB48-C

ALL CABINETS INCLUDE

- ✦ ALL OAK CONSTRUCTION
- ✦ RAISED PANEL DOORS
- ✦ DOVETAILED OAK DRAWERS
- ✦ STANDARD BRASS/OAK PULLS



VANITY CABINETS

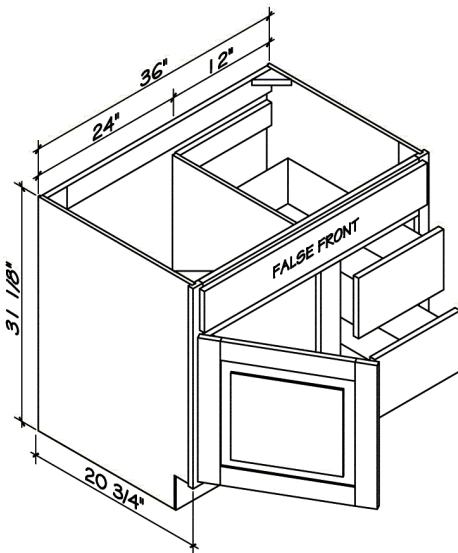
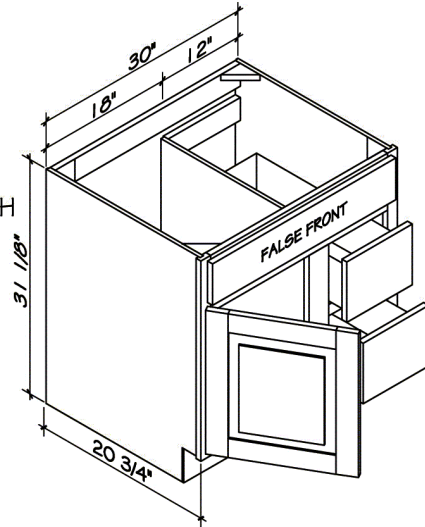


VSDB24 L or R
 †TWO 6" DEEP DRAWERS
 †SPECIFY DRAWERS LH or RH
 *RH SHOWN

VANITY SINK DRAWER BASES

- †VANITY 20 3/4" DEPTH
- †VANITY 31 1/8" TALL (32" COUNTERTOP)
- †NO BACK / NO SHELF
- †ONE FALSE DRAWER FRONT
- †COMMON USES INCLUDE:
VANITY SINK CABINET WITH DRAWERS

VSDB30 L or R
 †TWO 6" DEEP DRAWERS
 †SPECIFY DRAWERS LH or RH
 *RH SHOWN

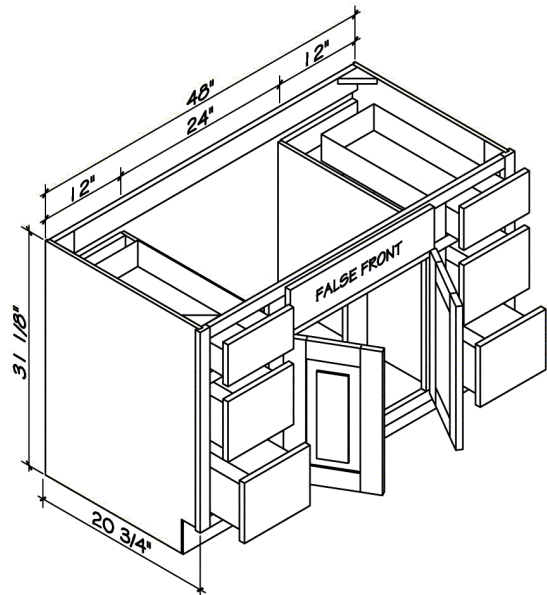


VSDB36 L or R
 †TWO 6" DEEP DRAWERS
 †SPECIFY DRAWERS LH or RH
 *RH SHOWN



VANITY SINK DRAWER BASE CABINET

VSDB48
 †FOUR 6" DEEP DRAWERS
 †TWO 3 1/2" DEEP DRAWERS
 †ALLOWS 24" WIDTH FOR
 CENTERED SINK



VANITY CABINETS

ALL CABINETS INCLUDE

- †ALL OAK CONSTRUCTION
- †RAISED PANEL DOORS
- †DOVETAILED OAK DRAWERS
- †STANDARD BRASS/OAK PULLS

